



Enerdrive

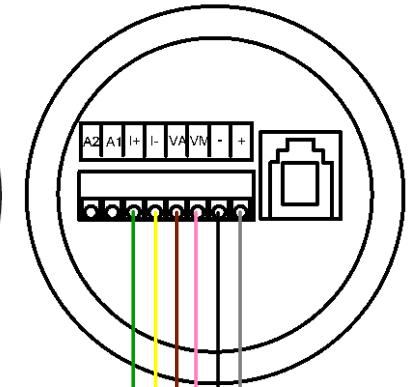
DRIVING YOUR ENERGY NEEDS

Shunt/
Battery

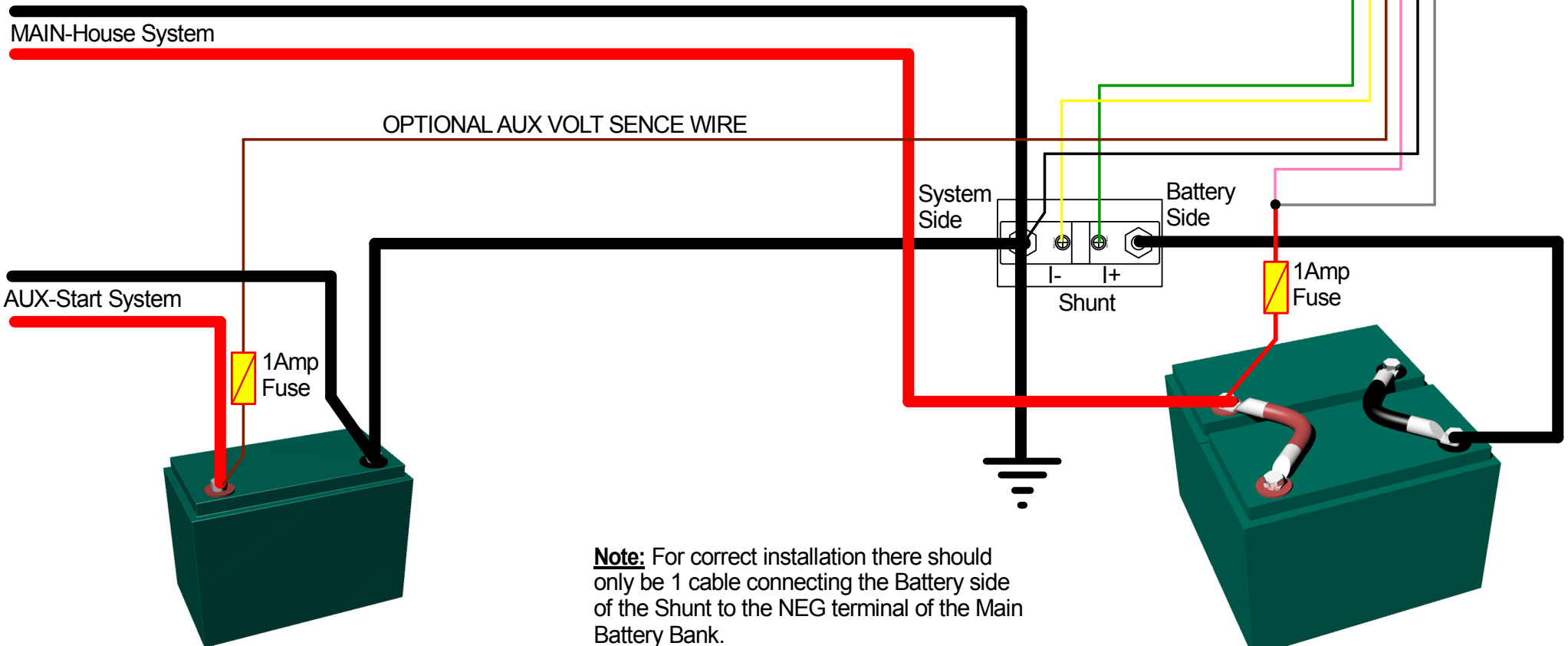


| | |
|--|-------------|
| (Green) Battery Side Sense Wire | (Green) I+ |
| (Yellow) System Side Sense Wire | (Yellow) I- |
| (Brown) AUX +Volt Sense Wire 1Amp Fuse (AUX Battery) | (Brown) VA |
| (Pink) Main +Volt Sense Wire (Main Battery) | (Pink) VM |
| (White) Battery Monitor NEG (System side of Shunt) | (White) - |
| (Gray) Battery Monitor POS + (Main Battery) | (Gray) + |

Battery
Monitor



Twisted pair!



AUX/Start Bank
(Note: Image Show 1 x 12v Battery)

Note: For correct installation there should only be 1 cable connecting the Battery side of the Shunt to the NEG terminal of the Main Battery Bank.
"ALL" other NEG/Earth bonding wires must be connected to the System side of the Shunt.

Main/House Bank
(Note: Image Show 2 x 12v Batteries in Parrallel)